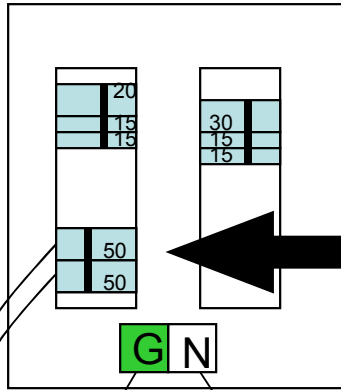


50amp RV Outlet Wiring (2 x 50amp - 120v)

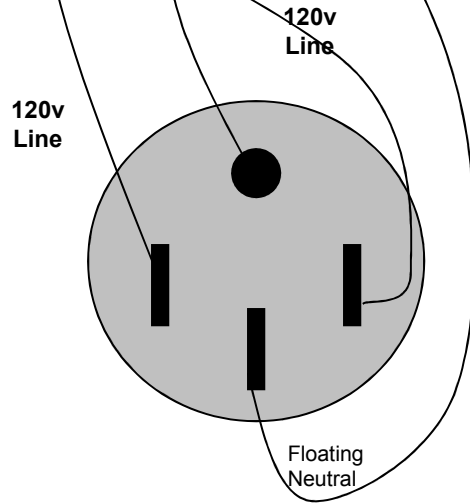
CORRECT

House or Campground
Breaker Panel



50 amp
Double
Throw
Breaker

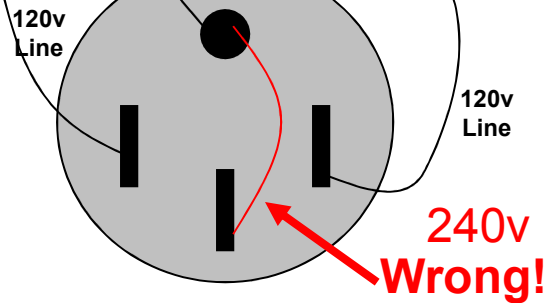
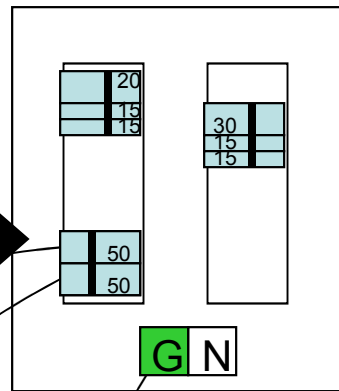
G= Ground
N= Neutral



4 Wires from Panel

WRONG

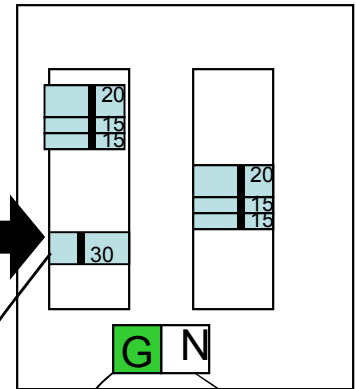
House or Campground
Breaker Panel



3 Wires &
Jumping the Neutral

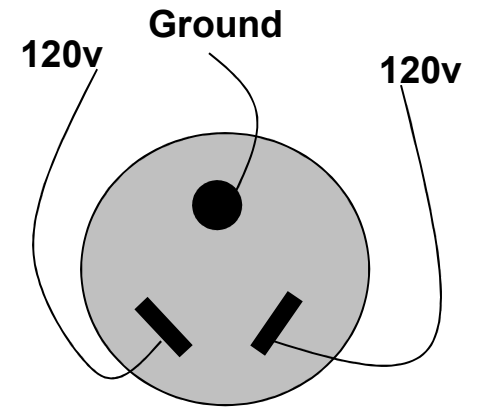
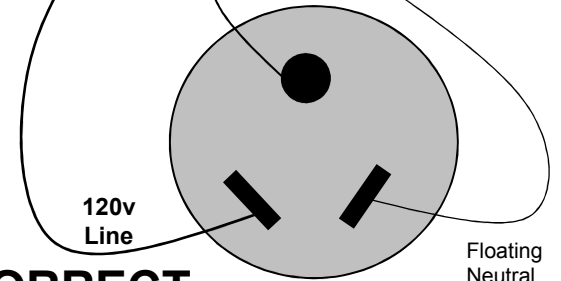
30amp RV Outlet (120v)

House or Campground
Breaker Panel



30 amp
Breaker

CORRECT



WRONG